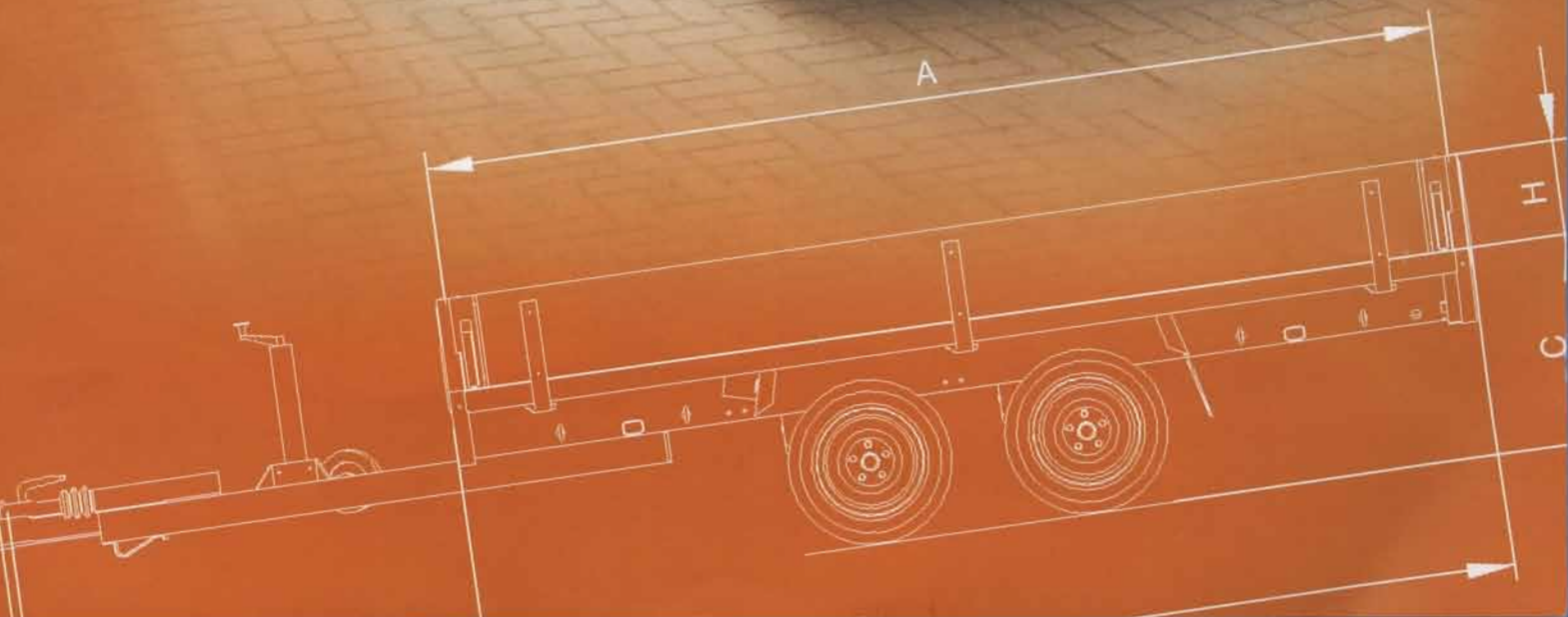


Anssems

t r a i l e r s

PSX



PSX, the platform trailer

Quality is in one word the trademark of Ansems Trailers. Because of our experience over many years we know more than anyone else who are using our trailers and what their wishes are. Platform trailers are especially suitable for transporting large volumes. This means that the following aspects are very important: stability, safety, optimal loading volume and user-friendliness. In order to meet all wishes, the platform trailers are available in different dimensions and carrying capacities. Advanced technologies were used for the development of platform trailers. The trailers were obviously tested extensively, for example on a test track and a so-called roller track. It means that we can guarantee a safe product.

Stability

The platform trailer has a very stable road holding. The solid construction of the chassis with a V-shaped pole of 145 cm is responsible for this. The chassis was welded by a robot and is hot-dip galvanised. The mounted axles and overrun brake are of a high quality and result in a smooth driving and braking.



A generous safety margin was incorporated in the selection of the axles of the PSX 1300 and the PSX 2000. This means that the gross weight of the axles is higher than the maximum gross weight of the trailer. For example, type PSX 1300 has an axle with a gross weight of 1,500 kilos, while type PSX 2000 has two axles with a gross weight of 1,300 kilos each.

For an additional stability the bottom plate, which consists of one wooden plate with a thickness of 15 millimetres, is supported by several longitudinal runners and cross girders.

Safety

Ansems Trailers feels very strongly about safety. The solid construction of the trailer is not the only important aspect regarding



Lighting



Pullout beams at backside

safety. It is especially important to be well visible to other road users. In order to achieve this, the lighting, which is mounted according to EG-directives, is extended with so-called side-marking lights. These side-marking lights are also visible when the side boards are folded down. This means that people can see you when you have to load in the dark. That is really a safe idea.



Retractable jockey wheel

Optimal loading volume

A large loading volume is created, because the loading floor is placed above the wheels and tyres. This is why the platform trailer is very suitable for loading building materials or garden waste. In addition, it is possible to extend the loading floor, by folding down the rear board and supporting it on pullout beams. The folded headboard rests on the pole. In this way there is sufficient room to transport long parts, such as scaffolding-planks, in a safe way. Problems with a too short trailer will forever be a thing of the past!

User-friendliness

Because the boards can be folded down all around, it is very easy to load and unload. It is not necessary anymore to lift objects over the boards. Another advantage is that it is possible to load and unload with a forklift truck. And damage of the boards and

lighting is avoided, as they are located completely under the loading floor and therefore outside the reach of the forklift truck. With these platform trailers the load can be tied down quickly and safely. For this purpose eight tie eyes have been mounted under the floor and eight tie hooks have been placed in the floor. Both string and clamping tape can be used. The tie hooks can be used perfectly for tying down pallets, for example. They can also be used very well when a high cover has been mounted on the trailer. The tie eyes are handy when a large part of the load sticks out above the boards, as may be the case with prunings. In this way you will always have the correct tie hook or tie eye within reach.

Different models

Ansems Trailers has developed three different models of platform trailers, that is to say: the PSX 1300, PSX 2000 and PSX 3000. All three of them have overrun brakes and different dimensions.

The PSX 1300 has a single-axle with a maximum gross weight of 1,300 kilos. The trailer has small wheels and tyres, resulting in a low loading floor. The other two types, with a maximum gross weight of 2,000 and 3,000 kilos respectively, are both double-axle



Axle shock absorber mounted (option)



Ladderrack mounted (option)



Tie hook

trailers, of which the PSX 3000 also has a lowered floor. As a standard the platform trailers have 30 cm high aluminium side boards, which can be folded down all around.



PSX 2000.325



PSX 3000.325



PSX 2000.405



PSX 3000.405



	PSX 1300 251x153	PSX 2000 305x153	PSX 2000 325x178	PSX 2000 405x178	PSX 3000 305x153	PSX 3000 325x178	PSX 3000 405x178
Dimensions/weights							
Maximum gross weight	1300/1000	2000/1500	2000/1500	2000/1500	3000/1500	3000/1500	3000/1500
Unladen weight	320	430	440	485	455	465	515
Payload	980/680	1570/1070	1560/1060	1515/1015	2545/1045	2535/1035	2485/985
Internal platform length (A)	251	305	325	405	305	325	405
Internal platform width (B)	153	153	178	178	153	178	178
Loading height (C)	65	68	68	68	65	65	65
Pole length (D)	145	145	145	145	145	145	145
Overall length (E)	406	460	480	560	460	480	560
Overall width (F)	160	160	185	185	160	185	185
Overall height (G)	95	98	98	98	95	95	95
Height of boards (H)	30	30	30	30	30	30	30
Tyre size	195/50R13	185/70R13	185/70R13	185/70R13	195/50R13	195/50R13	195/50R13
Accessory							
Ladderrack, with a height (J) of:	* 80	* 80	* 80	* 80	* 80	* 80	* 80
High cover 150 cm, with an internal height (K) of: and an overall height (L) of:	* 145 220	* 145 223	* 145 223	* 145 223	* 145 220	* 145 220	* 145 220
High cover 180 cm, with an internal height (K) of: and an overall height (L) of:	* 175 250	* 175 253	* 175 253	* 175 253	* 175 250	* 175 250	* 175 250
High cover 210 cm, with an internal height (K) of: and an overall height (L) of:			* 205 283	* 205 283		* 205 280	* 205 280
Flat cover	*	*	*	*	*	*	*
Axle shock absorber	*	*	*	*	*	*	*

*Accessory is deliverable at the mentioned trailer.

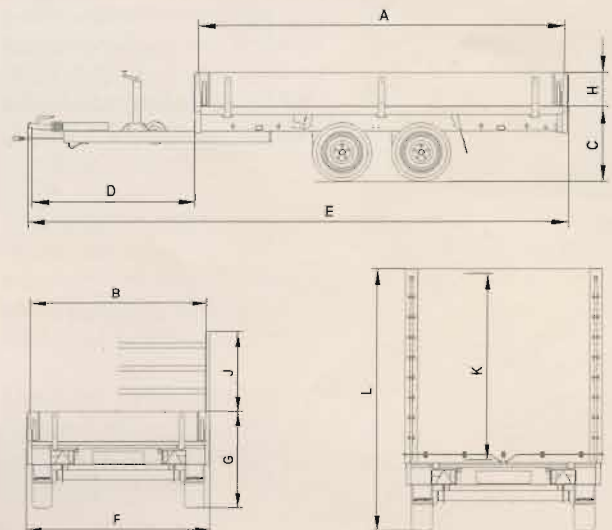
Dimensions mentioned in cm, weights in kg.



High cover



Flat cover



Your Ansems dealer:

Mex byggingavörur ehf.
Lyngháls 3 Árbæjarhverfi
Sími 567 1300 & 848 3215
www.byggingavorur.com